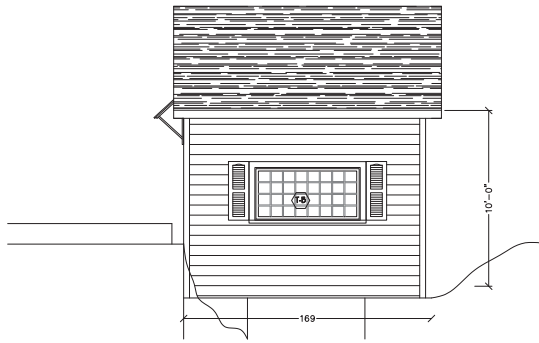
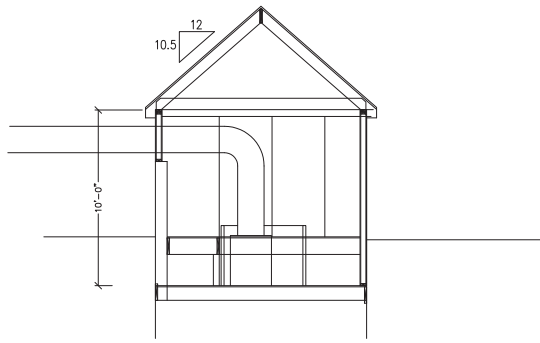


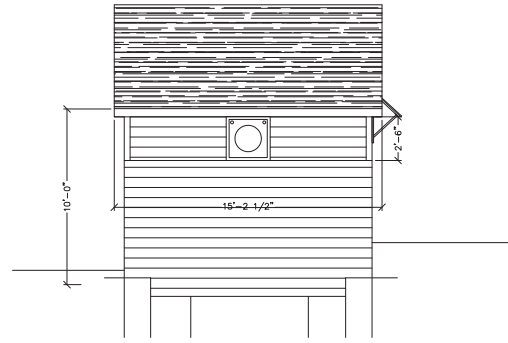
TURBINE FRONT ELEVATION



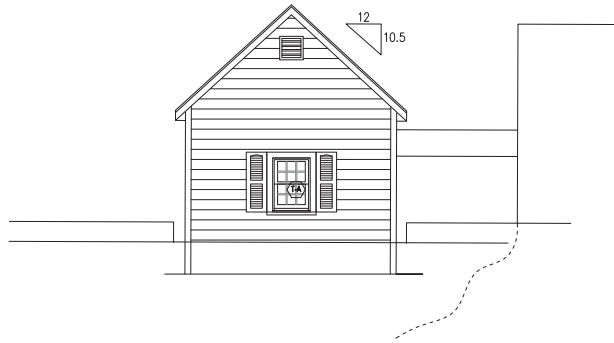
TURBINE RIGHT ELEVATION



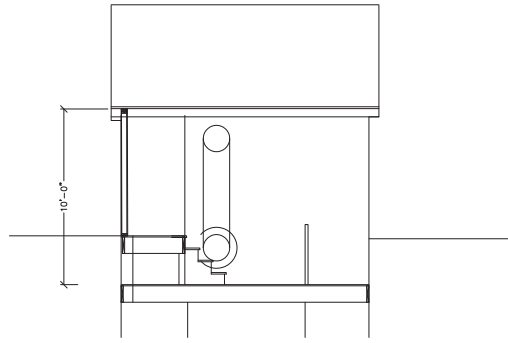
A
A-6 TURBINE SECTION 1
SCALE: 1/4"=1'-0"



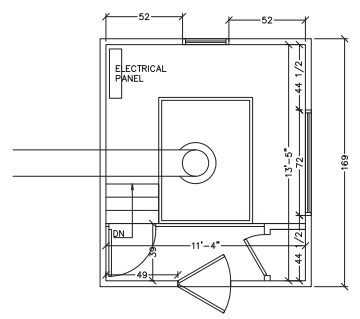
TURBINE LEFT ELEVATION



TURBINE REAR ELEVATION



B
A-6 TURBINE SECTION 2
SCALE: 1/4"=1'-0"



THE TURBINE

**NOTE:
WINDOW SCHEDULE IS BASED ON
SILVERLINE 3900 SERIES, VINYL
WINDOW
**FIELD VERIFY WINDOW OPENING SIZE

WINDOW SCHEDULE FOR TURBINE							
LABEL	SIZE	QUANTITY	R.O.	TYPE	REMARK	U-VALUE	SHGC
T-A	2/4 X 3/2	1	28 1/2 X 38 1/2	DOUBLE HUNG			
T-B	6/0 X 3/2	1	73 1/2 X 39 1/2	PICTURE			

**NOTE:
DOOR SCHEDULE IS BASED ON
THERMA-TRU DOORS, SMOOTH STAR
SERIES
**FIELD VERIFY DOOR OPENING SIZE

WINDOW SCHEDULE FOR TURBINE							
LABEL	SIZE	QUANTITY	TYPE	REMARK	U-VALUE	SHGC	
T-1	3068	1	9 LITE, S262	MAIN LEVEL			

- 36'-0" LINEAL FEET RAKE TRIM
- 68'-0" LINEAL FEET CORNER BOARD
- 32'-0" LINEAL FEET FASCIA BOARD
- 48'-0" LINEAL FEET WINDOW CASING
- 500 SQ FT OF SIDING
- 270 SQ FT OF ROOF SHINGLE

NO.	REVISIONS

CONCORD LUMBER CORPORATION
LITTLETON LUMBER
ARCHITECTURE DEPARTMENT
P.O. BOX 1508 • 8 CORDA WAY • LITTLETON, MA 01460
TEL: 978-456-8761 FAX: 978-456-8762

STAMP:

99 MILL ROAD, CHELMSFORD, MA
THE TURBINE ELEVATIONS/FLOOR PLANS

DRAWN : PJB CHECKED : JEG
DATE : 10-29-15
SCALE : 1/4" = 1'-0"
JOB NO. : 1504-12
CONSTRUCTION DRAWING