

NO.	REVISIONS

CONCORD LUMBER CORPORATION  
 ARCHITECTURE DEPARTMENT  
 P.O. BOX 1528 • 2 ORDA WAY • LITTLETON, MA. 01460  
 TEL: 978-488-0761 FAX: 978-488-0762

STAMP:

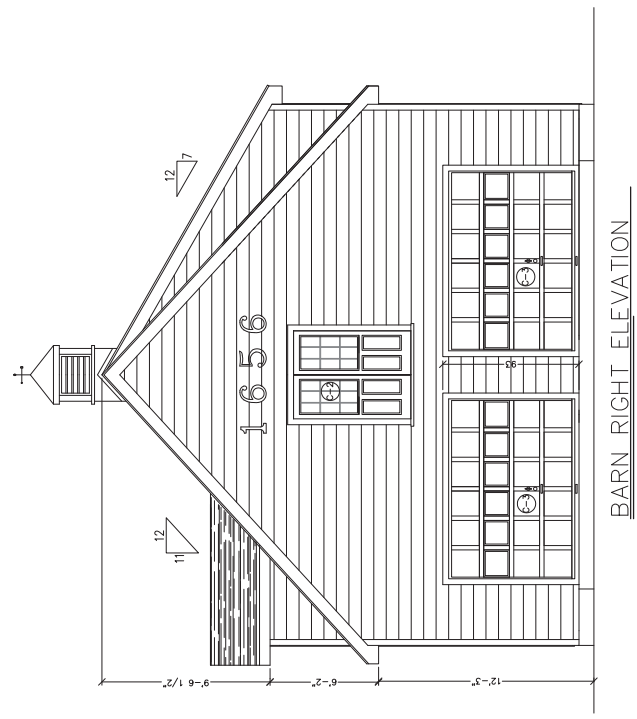
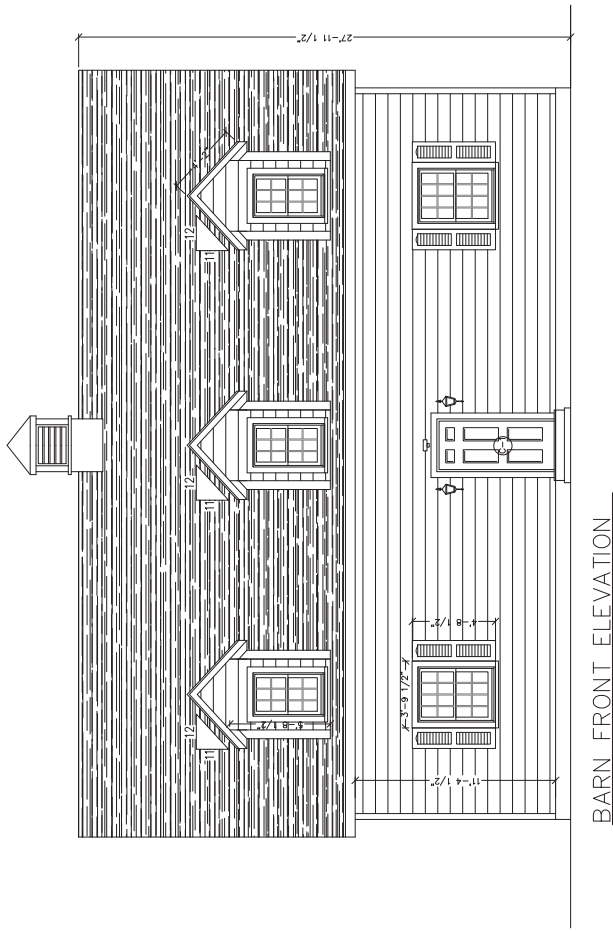
HISTORIC MILSTREAM  
 99 MILL ROAD, CHELMSFORD, MA  
 BARN FRONT RIGHT SIDE ELEVATION

DRAWN :  
 P&B  
 CHECKED :  
 AJO

DATE : 10-28-15  
 SCALE : 1/4" = 1'-0"  
 JOB NO. : 1504-12  
 CONSTRUCTION DRAWING

A-5

© COPYRIGHT CONCORD LUMBER CORPORATION 2015



NO.	REVISIONS

**CONCORD LUMBER CORPORATION**  
 ARCHITECTURE DEPARTMENT  
 P.O. BOX 1580 • 2 ONDICA WAY • LITTLETON, MA 01460  
 TEL: 978-466-0761 FAX: 978-466-0762

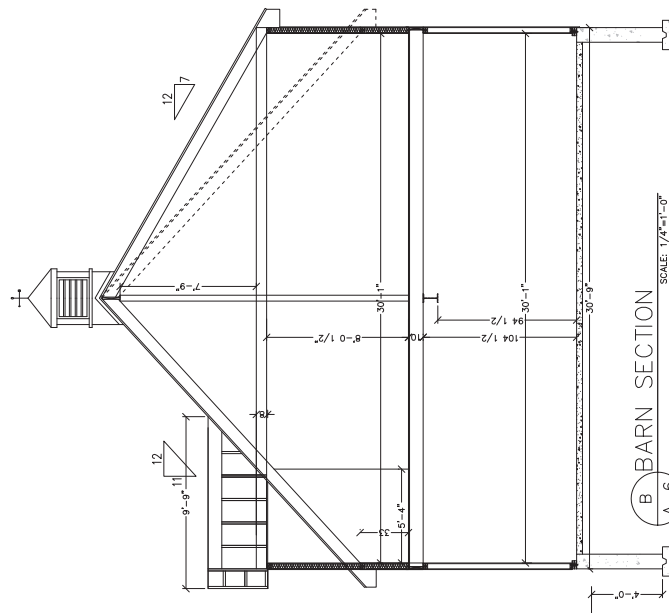
STAMP:

HISTORIC MILLSTREAM  
 99 MILL ROAD, CHELMSFORD, MA  
 SECTION  
 BARN LEFT/REAR ELEVATIONS/CROSS

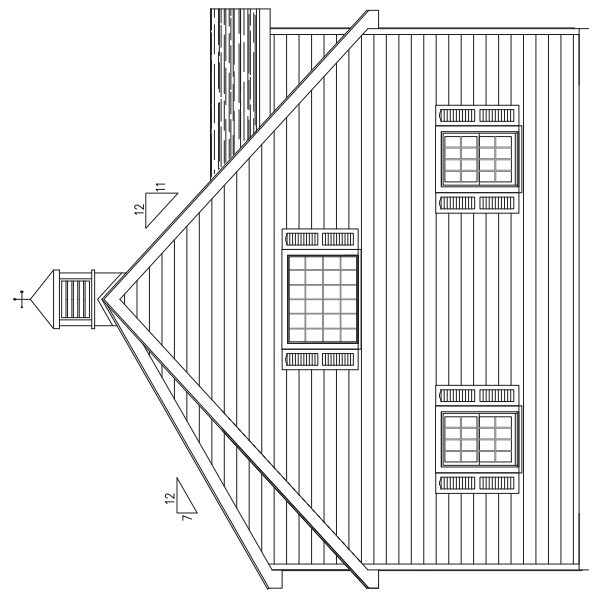
DRAWN : CUBBERD :  
 DATE : 10-23-15  
 SCALE : 1/8" = 1'-0"  
 JOB NO. : 1524-13  
 CONSTRUCTION DRAWING

A-6

© COPYRIGHT CONCORD LUMBER CORPORATION 2015



BARN REAR ELEVATION



BARN LEFT ELEVATION

- 154' - 0" LINEAL FEET RAKE TRIM
- 139' - 0" LINEAL FEET CORNER BOARD
- 116' - 0" LINEAL FEET FASCIA BOARD
- 231' - 0" LINEAL FEET WINDOW CASING
- 2,250 SQ FT OF SIDING
- 2022 SQ FT OF ROOF SHINGLE

\*\*NOTE:  
 WINDOW SCHEDULE IS BASED ON  
 THERMA-TRU DOORS, SMOOTH STAR  
 WINDOW SCHEDULE. VERIFY WINDOW  
 OPENING SIZE.

WINDOW SCHEDULE FOR BARN					
LABEL	SIZE	QUANTITY	R.O.	TYPE	REMARK
B-A	3/4 X 4/4	4	40 1/2 X 52 1/2	DOUBLE HUNG	TEMPERARY WINDOW
B-B	3/2 X 4/0	3	40 1/2 X 48 1/2	DOUBLE HUNG	REAR 2ND FL
B-C	2/6 X 4/0	3	30 1/2 X 48 1/2	DOUBLE HUNG	FRONT 2ND FL
B-D	5/0 X 4/0	1	61 1/2 X 49 1/2	PICTURE	SECOND FL

\*\*NOTE:  
 WINDOW SCHEDULE IS BASED ON  
 THERMA-TRU DOORS, SMOOTH STAR  
 WINDOW SCHEDULE. VERIFY WINDOW  
 OPENING SIZE.

WINDOW SCHEDULE FOR BARN					
LABEL	SIZE	QUANTITY	TYPE	REMARK	SHGC
B-1	3068	1	6-PANELS DOOR, S236	FRONT ENTRY	
B-2	2-3068	1	9-LITE DOOR, S232	2ND FL OVER GARAGE	
B-3	10'-0" X 7'-0"	2	GARAGE DOOR	AMBI-LOCK OR CUSTOM DOOR WITH 6 SHORT PANE, WIDTH AND A SECTION HEIGHT	

NO.	EXTENSIONS

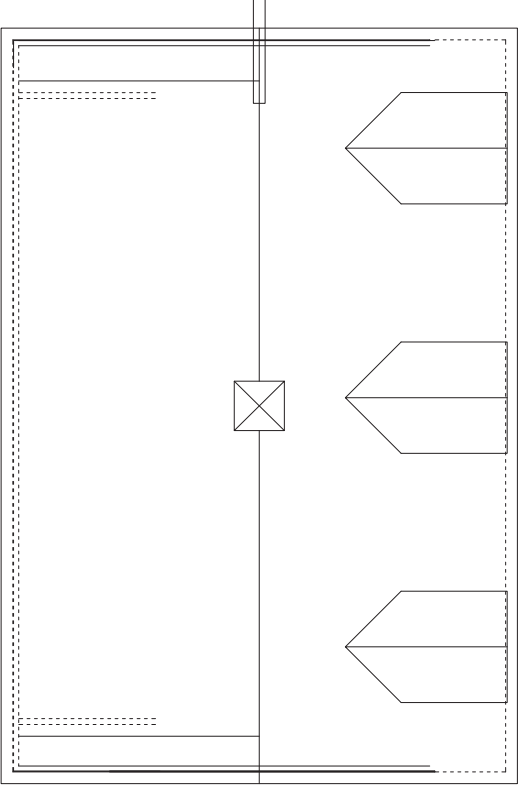
**CONCORD LUMBER CORPORATION**  
 ARCHITECTURE DEPARTMENT  
 P.O. BOX 1228 • 2 OGDEN WAY • LITTLETON, N.H. 01460  
 TEL: 978-455-0761 FAX: 978-455-0765

STAMP:  
 \_\_\_\_\_  
 \_\_\_\_\_

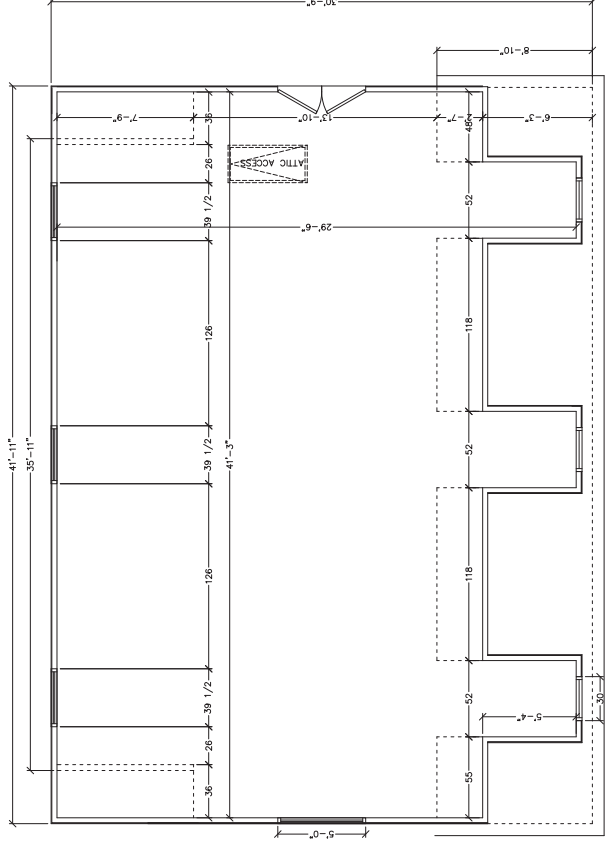
HISTORIC MILLSTREAM  
 99 MILL ROAD, CHELMSFORD, MA  
 BARN FIRST/SECOND/ATTIC FLOOR  
 PLANS

DRAWN : \_\_\_\_\_  
 P.B. \_\_\_\_\_  
 CHECKED : \_\_\_\_\_  
 A.S.  
 DATE : 10-28-11 \$12,000.00  
 SCALE : 1/4" = 1'-0"  
 JOB NO. : 1004-12  
 CONSTRUCTION DRAWING

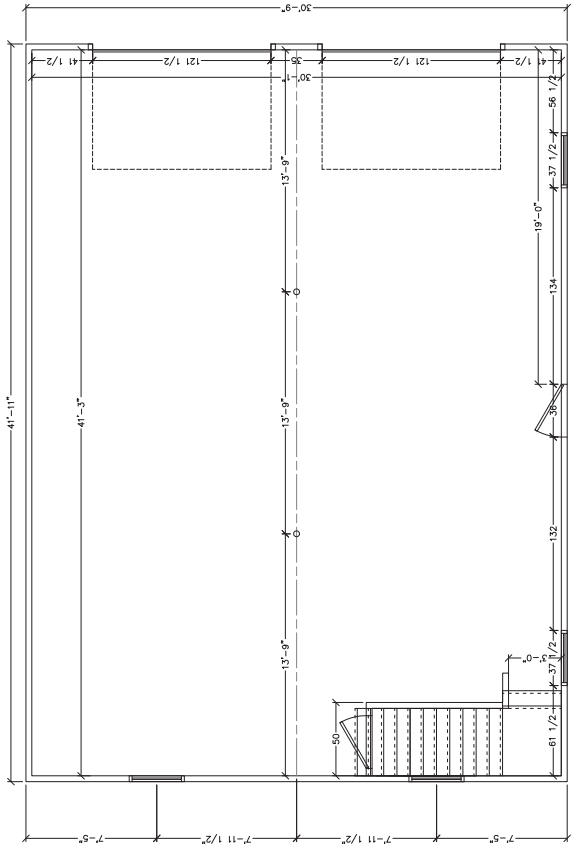
**A-7**



THE BARN — ATTIC / ROOF PLAN



THE BARN — SECOND FLOOR



THE BARN — FIRST FLOOR